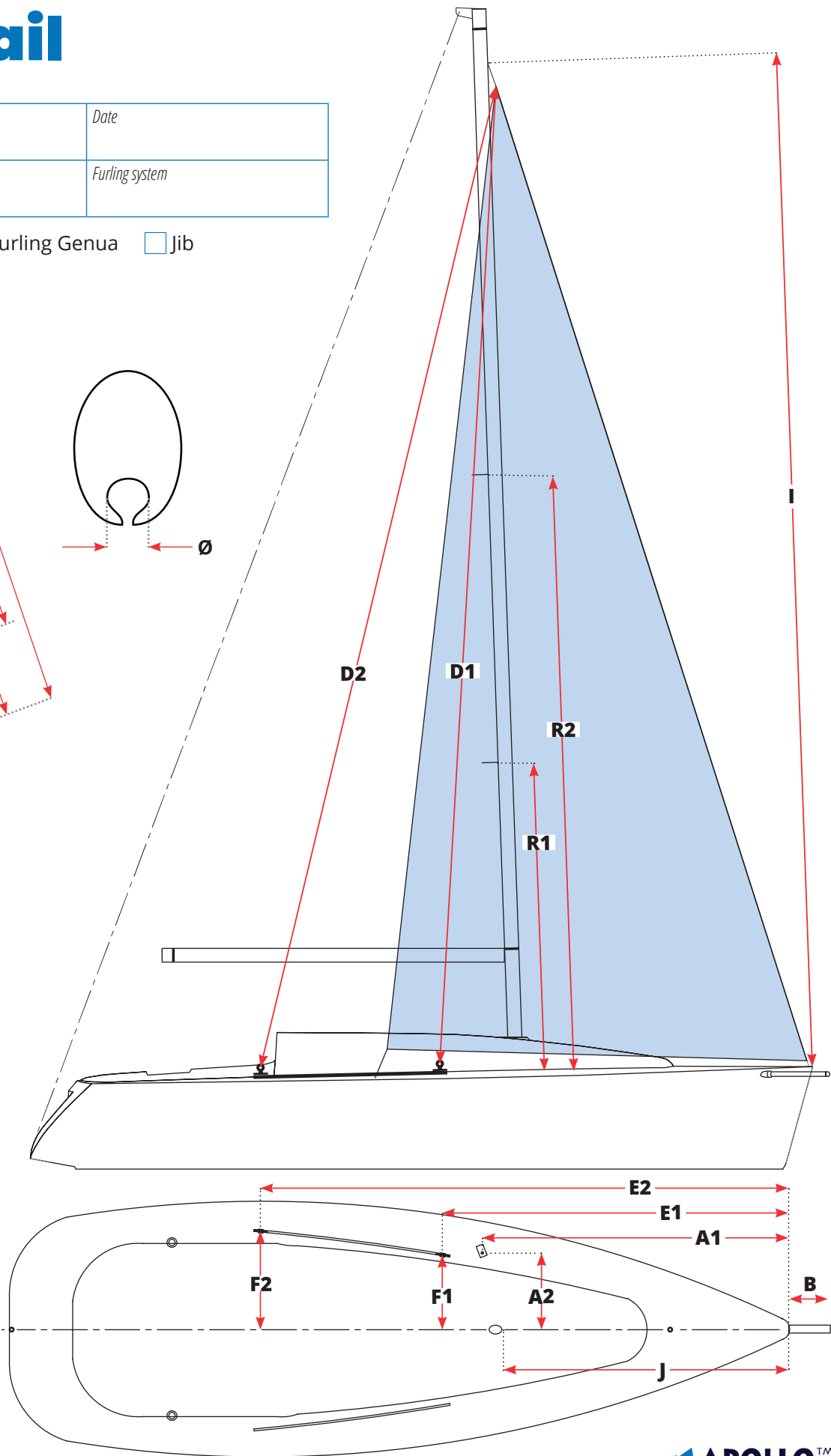
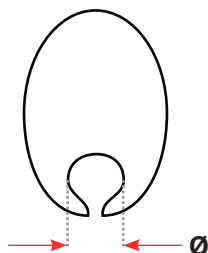
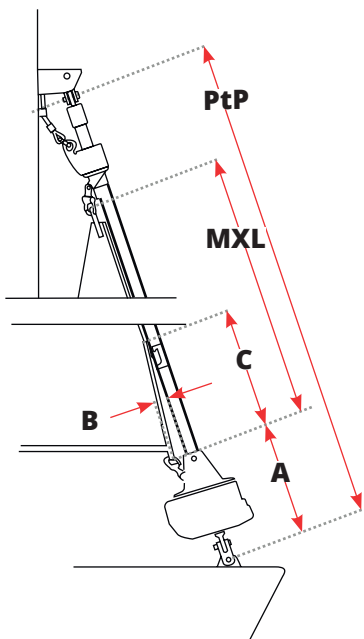


Headsail

Name	Date
Boattype	Furling system

Sailtype Genua Furling Genua Jib



I
J
MXL
PtP
A
B
C
D1
D2
E1
E2
F1
F2
A1
A2
R1
R2
Ø

